

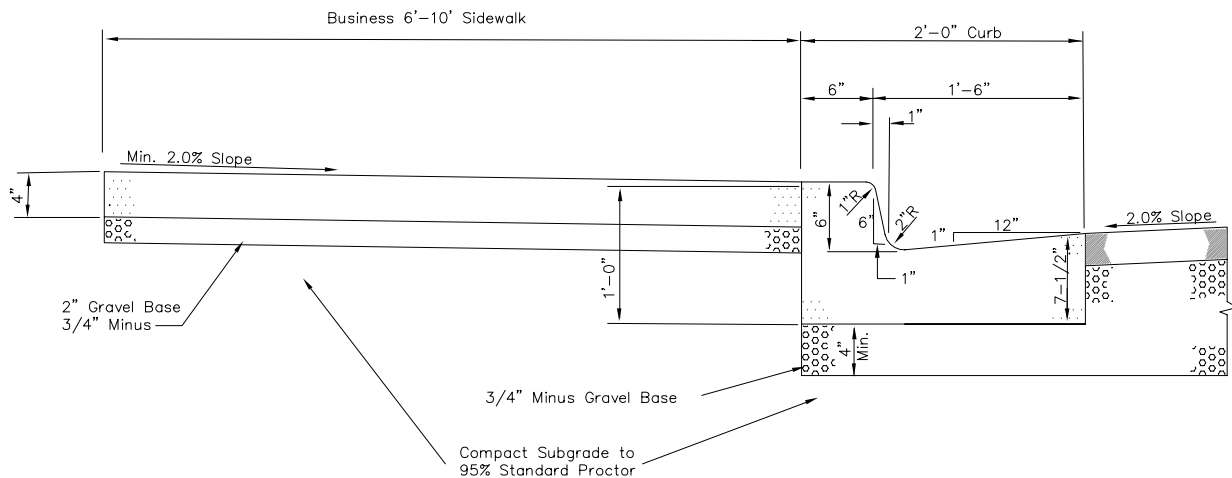
**TYPICAL ROLLED CURB, GUTTER & SIDEWALK DETAIL**

**(TYPE 2)**

N.T.S.

**NOTES:**

1. Alternative sidewalk materials including treated wood and pavers may be substituted for concrete in Business and limited Business zones with prior approval by the City of Hailey. The adjacent owners shall be responsible for maintenance and repairs to sidewalks constructed with alternative materials.
2. ISPWC Standards may be substituted for machine formed curb & gutter



**TYPICAL 6" VERTICAL CURB & SIDEWALK DETAIL**

**(TYPE 1)**

N.T.S.

REVISIONS

**2006 CITY OF HAILEY  
IMPROVEMENT STANDARD  
DRAWINGS**

**TYPICAL CURB, GUTTER  
& SIDEWALK**

**701**

**DWG NO.**