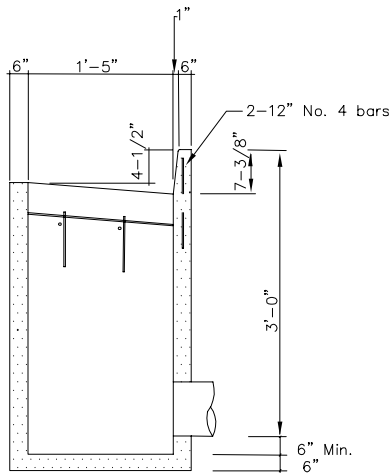


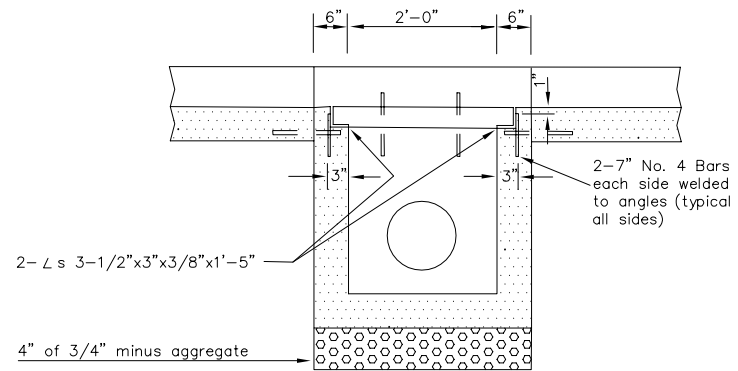
CATCH BASIN PLAN VIEW
N.T.S.

NOTES

1. Pipes may enter or leave box from any direction.
2. Minimum pipe size shall be (12) inch diameter.
3. See drawing 603 for Grate Detail.
4. Precast box is acceptable.



SECTION B-B
N.T.S.



SECTION A-A
N.T.S.

REVISIONS

**2006 CITY OF HAILEY
IMPROVEMENT STANDARD
DRAWINGS**

CATCH BASIN INLET

601

DWG. NO.