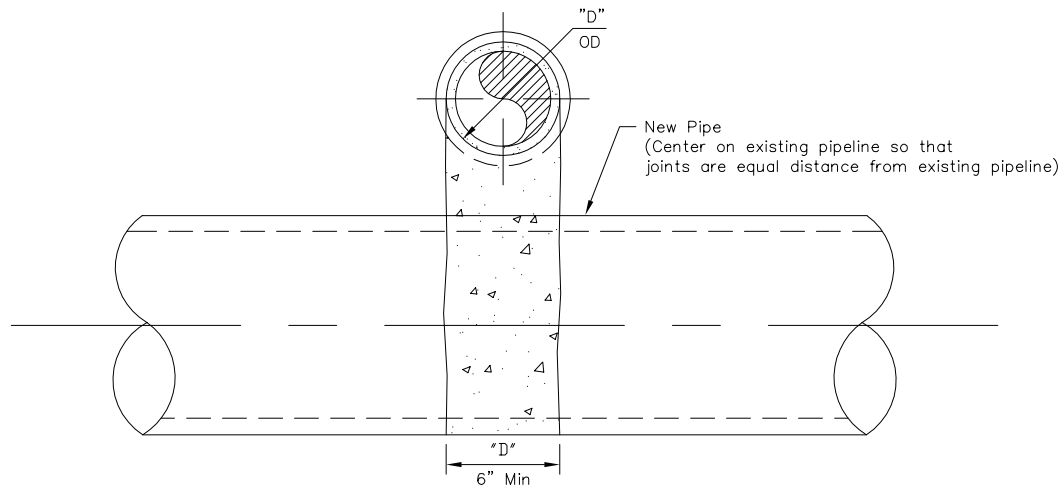


**SECTION THRU NEW PIPE TRENCH**

N.T.S.



**SECTION A**

**PIPE SUPPORT ACROSS TRENCH**

N.T.S.

REVISIONS

**2006 CITY OF HAILEY  
IMPROVEMENT STANDARD  
DRAWINGS**

**PIPE SUPPORT  
ACROSS TRENCH**

**515**

**DWG. NO.**