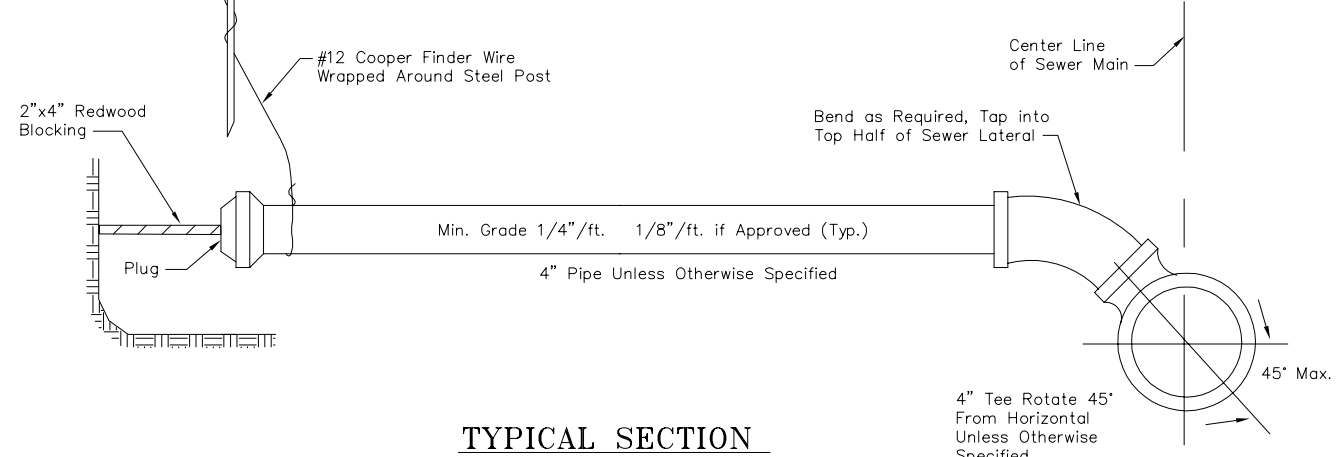
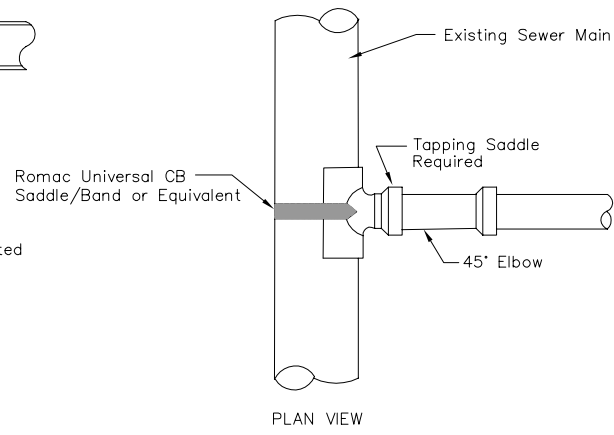


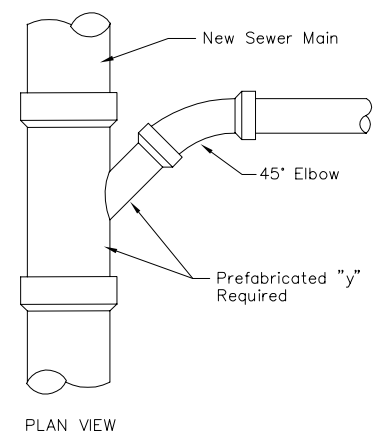
PROFILE VIEW
CONNECTION FOR INTERCEPTOR SEWERS
 N.T.S.



TYPICAL SECTION CONNECTION FOR NEW SEWER
 N.T.S.



CONNECTION FOR EXISTING SEWER
 N.T.S.



CONNECTION FOR NEW SEWER
 N.T.S.

NOTES

1. Sewer taps shall not enter at manholes.
2. An approved tapping saddle shall be required for all new taps to existing sewer laterals (Romac Universal Saddle/Band or equivalent).
3. An owner constructing a new public sewer system in a subdivision or development shall construct a sewer tap and service for each potential user and extend it to the property line.

REVISIONS	2006 CITY OF HAILEY IMPROVEMENT STANDARD DRAWINGS	SEWER SERVICE CONNECTION	511 DWG. NO.
-----------	--	---------------------------------	------------------------