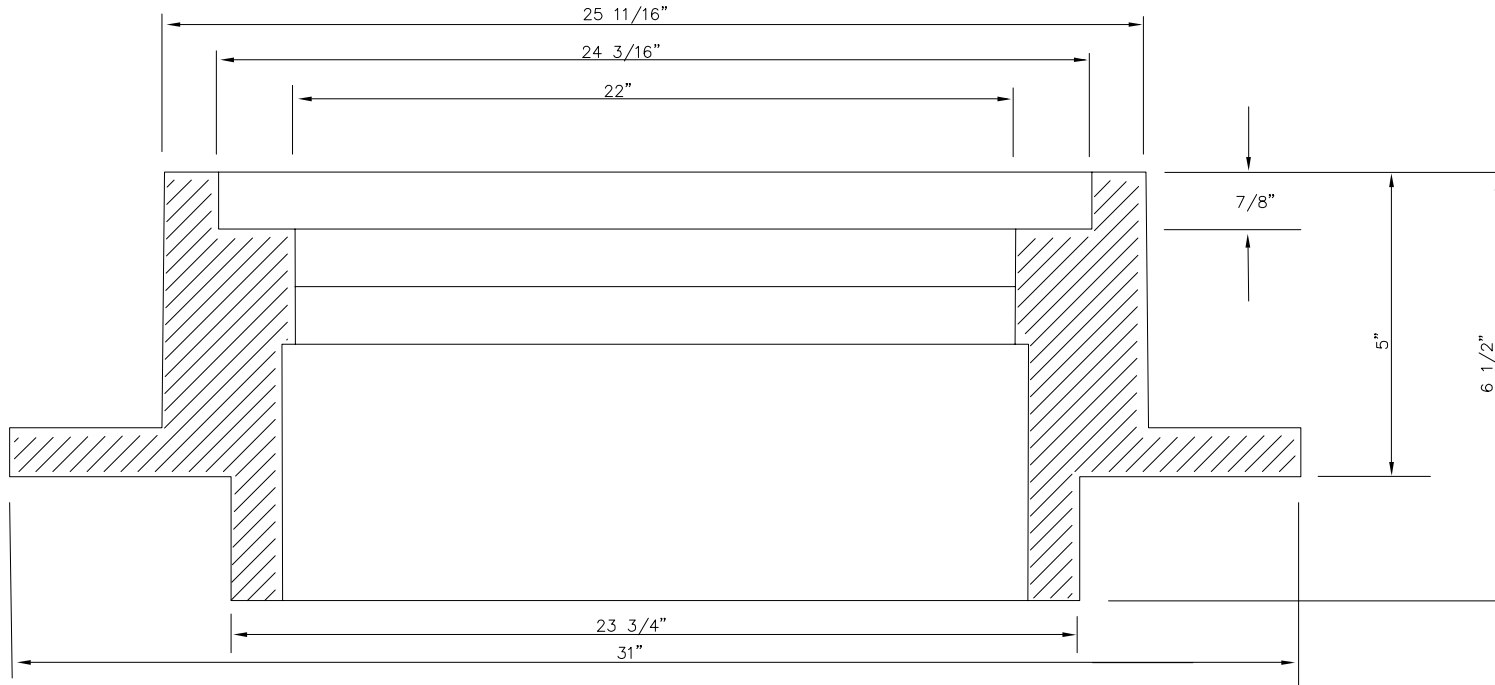


COVER
N.T.S.

NOTES

1. Top of Cone Shall Not be Broken, Chipped, or Ground off to Lower the Ring and Cover.
2. To Lower the Ring and Cover, the Existing Cone Shall be Removed and Replaced With a New Cone.
3. Fiberglass Dust Pan Required on all Manholes that are not on Paved Streets.
4. Minimum Weight of Frame 147 lbs.
5. Minimum Weight of Cover 93 lbs.
6. Cover Shall Have 2 (Two) 1" (One Inch) Dia. Holes Spaced Equidistantly.



RING
N.T.S.

REVISIONS

2006 CITY OF HAILEY
IMPROVEMENT STANDARD
DRAWINGS

MANHOLE COVER & FRAME

507

DWG. NO.