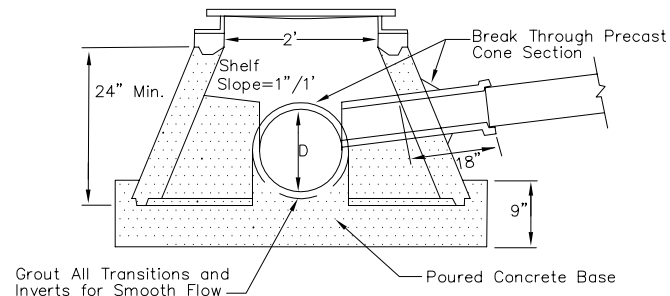
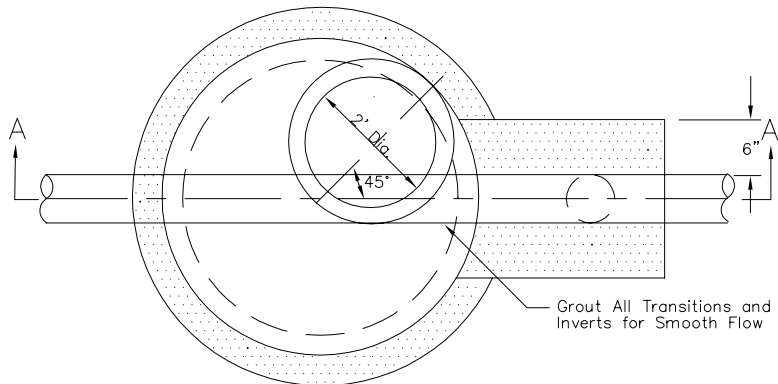


SECTION A-A
N.T.S.



SHALLOW MANHOLE
(TYPE B)
SECTION-A
N.T.S.



DROP MANHOLE
(TYPE C)
PLAN
N.T.S.

NOTES

1. Manhole frame and cover installation:
A. See standard drawing No. 501.
2. Where PVC is utilized, a rubber ring or gasket collar is to be installed where the pipe is in contact with manhole base and/or manhole channel, in order to insure a watertight seal.
3. Use manhole Type B with manholes greater than 30" deep and less than 48" deep to flow line of pipe.
4. A concentric cone section shall be used for shallow manholes.
5. Optional precast manhole base with approved pipe connections may be used with Engineer's approval.
6. Concrete Collar shall be provided for all Manholes, as shown on drawing No. 501.
7. Fiberglass Dust Pan Required on all Manholes that are not on Paved Streets.
8. Grout all Transition and Inverts for Smooth Flow.

REVISIONS

**2006 CITY OF HAILEY
IMPROVEMENT STANDARD
DRAWINGS**

SPECIAL SEWER MANHOLES

505

DWG. NO.