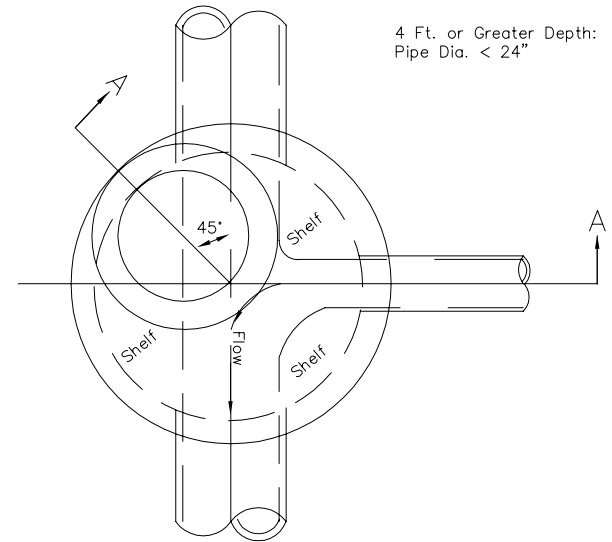


**TYPICAL MANHOLE (TYPE A)**  
**SECTION A-A**  
 N.T.S.



**PLAN VIEW**  
 N.T.S.

**NOTE**

1. Optional precast manhole base with approved pipe connections may be used with city approval.
2. Service lines shall not be connected to manholes.
3. Manhole frame and cover:  
 A. See Drawing No. 507  
 B. Frame, cover, and concrete collar, shall be 0" to 1/4" below the grade of pavement
4. Whirlygigs allowed up to 19" height.
5. Where PVC is utilized, a rubber ring or gasket collar is to be installed where the pipe is in contact with manhole base and/or manhole channel, in order to insure a watertight seal.
6. See drawing No. 505 for shallow manhole Type B.
7. Frame and cover shall be adjusted to grade after paving. A steel plate shall cover the concrete cone prior to placing gravel and pavement. A neat circular cut shall be made in the new pavement to install the grade rings, frame and concrete collar.
8. Manhole shall be located so that the Frame and Cover will be six (6) feet from the centerline for residential streets and as directed by the city for other streets.
9. Fiberglass Dust Pan Required on all Manholes that are not on Paved Streets.
10. Exterior Wrap material shall be E2-Wrap Rubber or approved equal

REVISIONS

**2006 CITY OF HAILEY  
 IMPROVEMENT STANDARD  
 DRAWINGS**

**SEWER MANHOLE (TYPE A)**

**501**

**DWG. NO.**