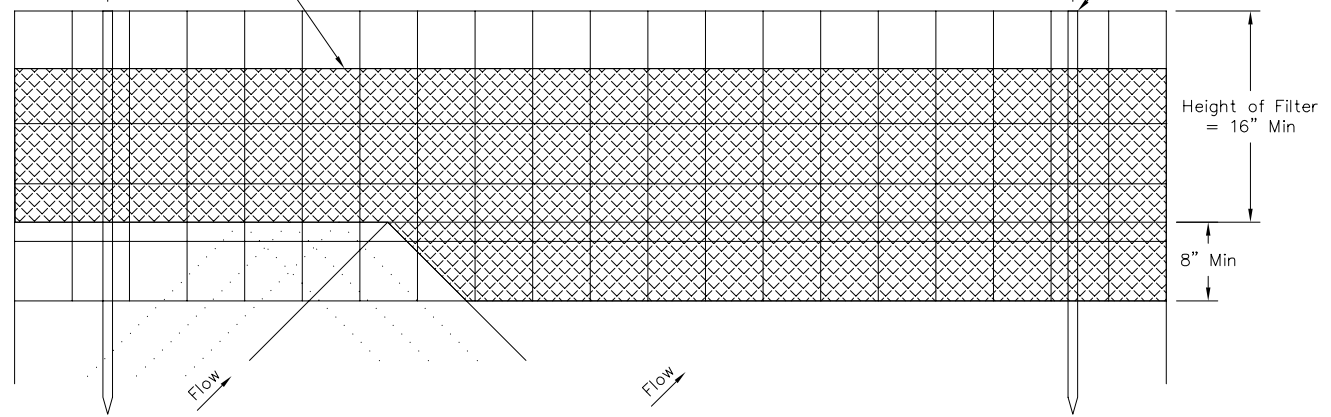


Woven wire fence (14 1/2 ga. min., max 6" mesh spacing) with filter cloth over

10' Max. Center to Center

36" min. fence posts, driven min. 16" into ground.



PERSPECTIVE VIEW
N.T.S.

Woven wire fence (14 1/2 ga. min., max. 6" mesh spacing) with filter cloth over

36" Min. fence post

20" Min

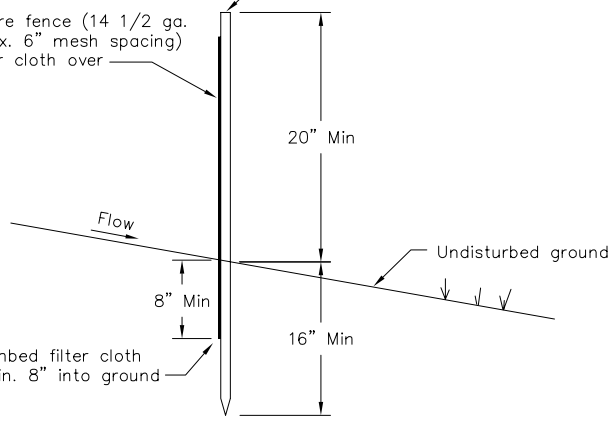
Flow

Undisturbed ground

8" Min

16" Min

Embed filter cloth min. 8" into ground



SECTION
N.T.S.

POSTS: Steel, either "T" or "U" type or 2" hardwood.
 FENCE: Woven wire, 14 gage, 6" maximum mesh opening.
 FILTER CLOTH: Filter X, Mirafi 100X, Stabilinka T140N or approved equal
 PREFABRICATED UNIT: Geofab, Envirofence or approved equal.

CONSTRUCTION NOTES FOR FABRICATED SILT FENCE

1. Woven wire fence to be fastened securely to fence posts with wire ties or staples.
2. Filter cloth to be fastened securely to woven wire fence with ties spaced every 24 inches at top and mid-section.
3. When two sections of filter cloth adjoin each other they shall be overlapped by 6 inches and folded.
4. Maintenance shall be performed as needed and material removed when 'bulges' develop in the silt fence.

REVISIONS

**2006 CITY OF HAILEY
 IMPROVEMENT STANDARD
 DRAWINGS**

SILT FENCE

1001

DWG. NO.