

Woodside Boulevard

Bicycle Rack Designs

The Process

- Call for Artists
- Artist Selection, Reviews and Approvals
- *Designs Approved by Hailey City Council*
- Fabrication
- Installation
- Dedication



The Project

- Nine Transit Stops Designated for Racks

East Bound

Fox Acres

West Bound

Fox Acres

Southbound

Laurelwood

Northbound

Baldy View

White Cloud

Moonlight

Winterhaven

Mountain Ash

Meadow Mountain

- Racks at each stop to accommodate at least four bicycles / phased installation

Artist Suggestions

- Temporary Installation of Three Racks Downtown
 - Hailey Public Library (Main St.)
 - Atkinsons' Market (1st Ave.)
 - Park & Ride (River St.)
- Design Approval is for essential concept and form / know that details and nuances always emerge during fabrication



Mark Sheehan

Cherry-Glow Forge



Jason Georgiades

Tropos Manufacturing



Nate Galpin

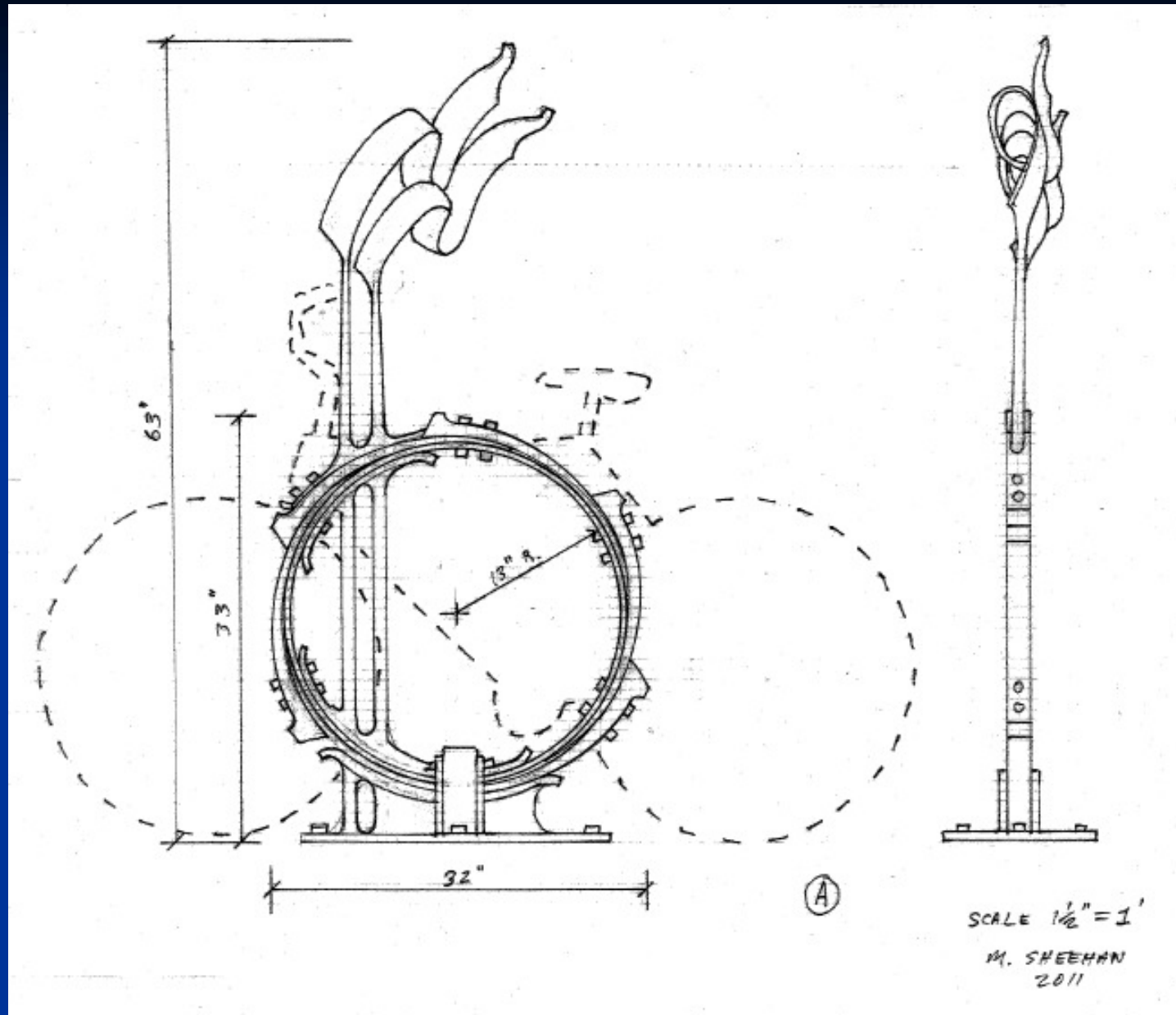
Isotope Metal Laboratory



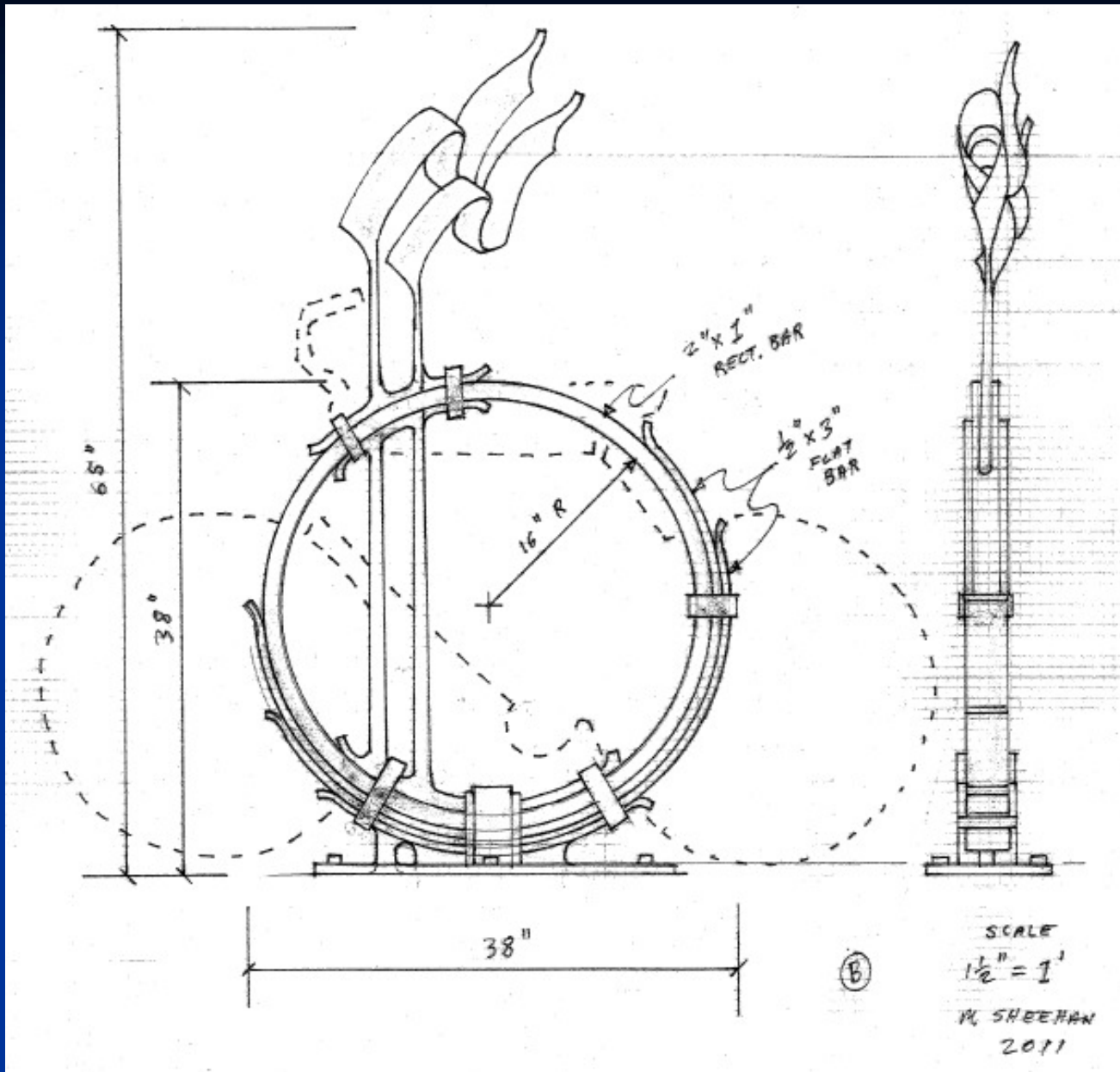
© Nate Galpin 2010



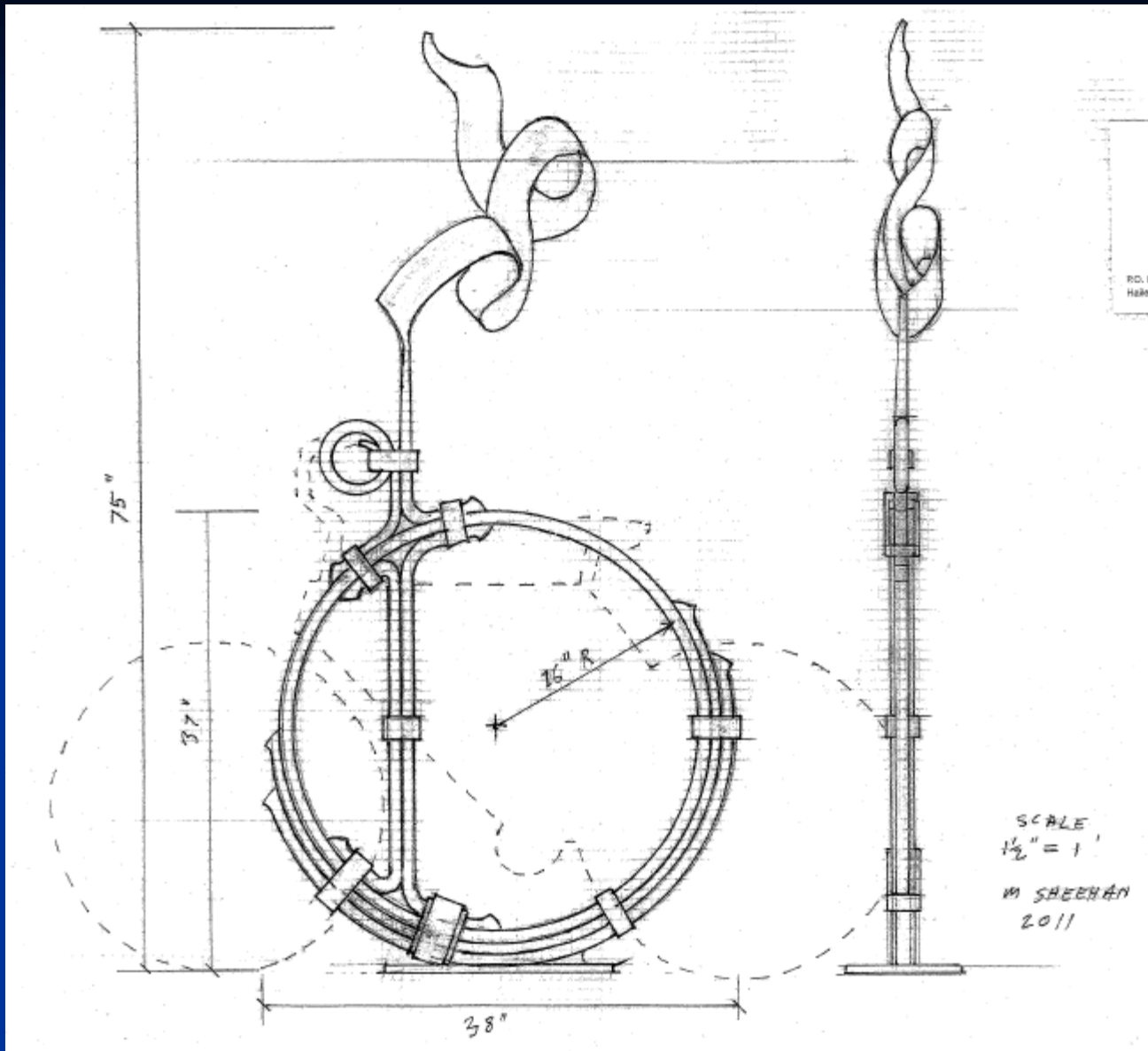
© Nate Galpin 2011



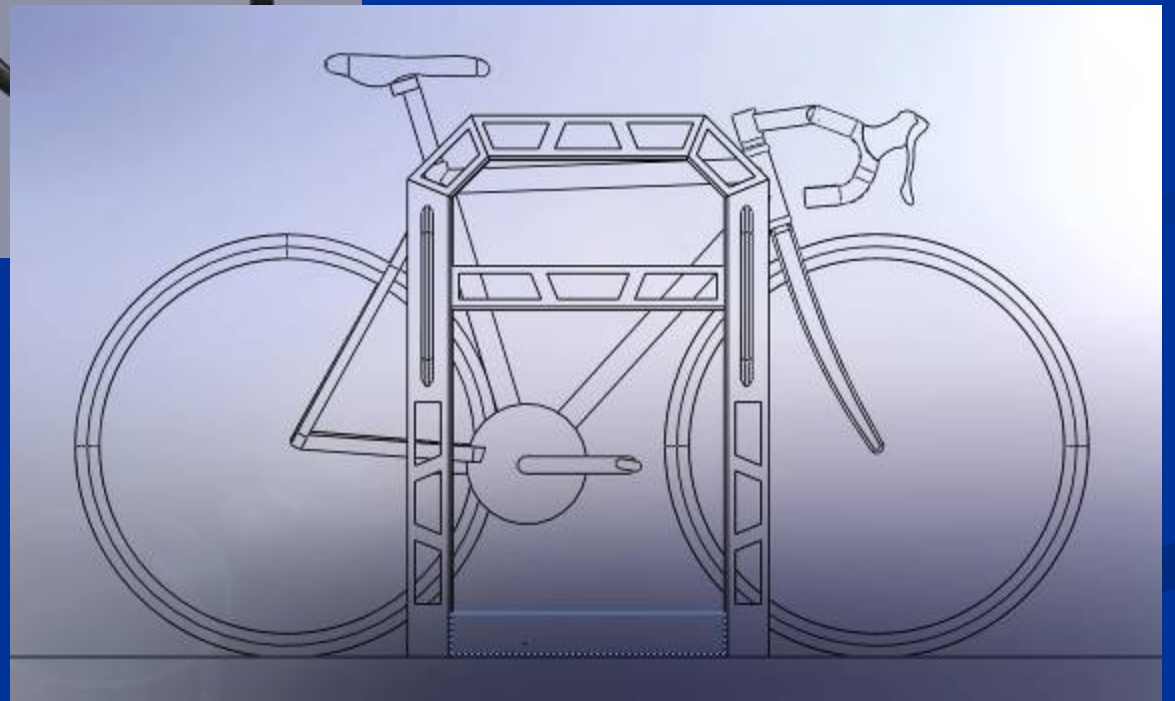
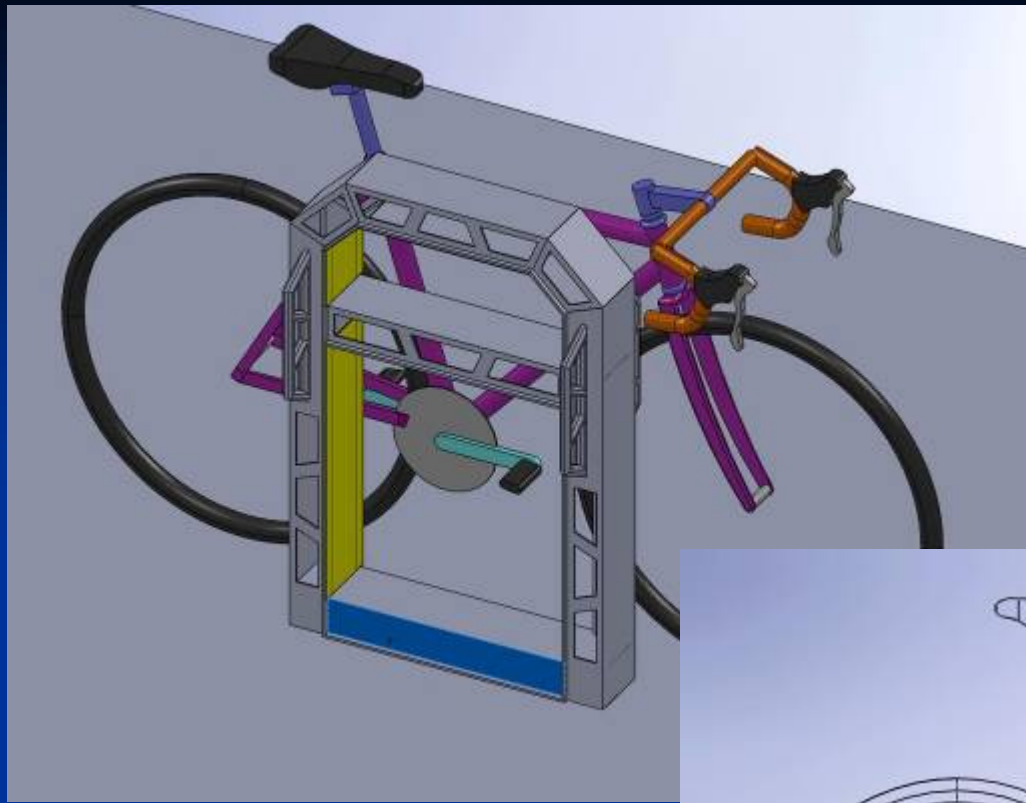
Mark Sheehan - Cherry-Glow Forge



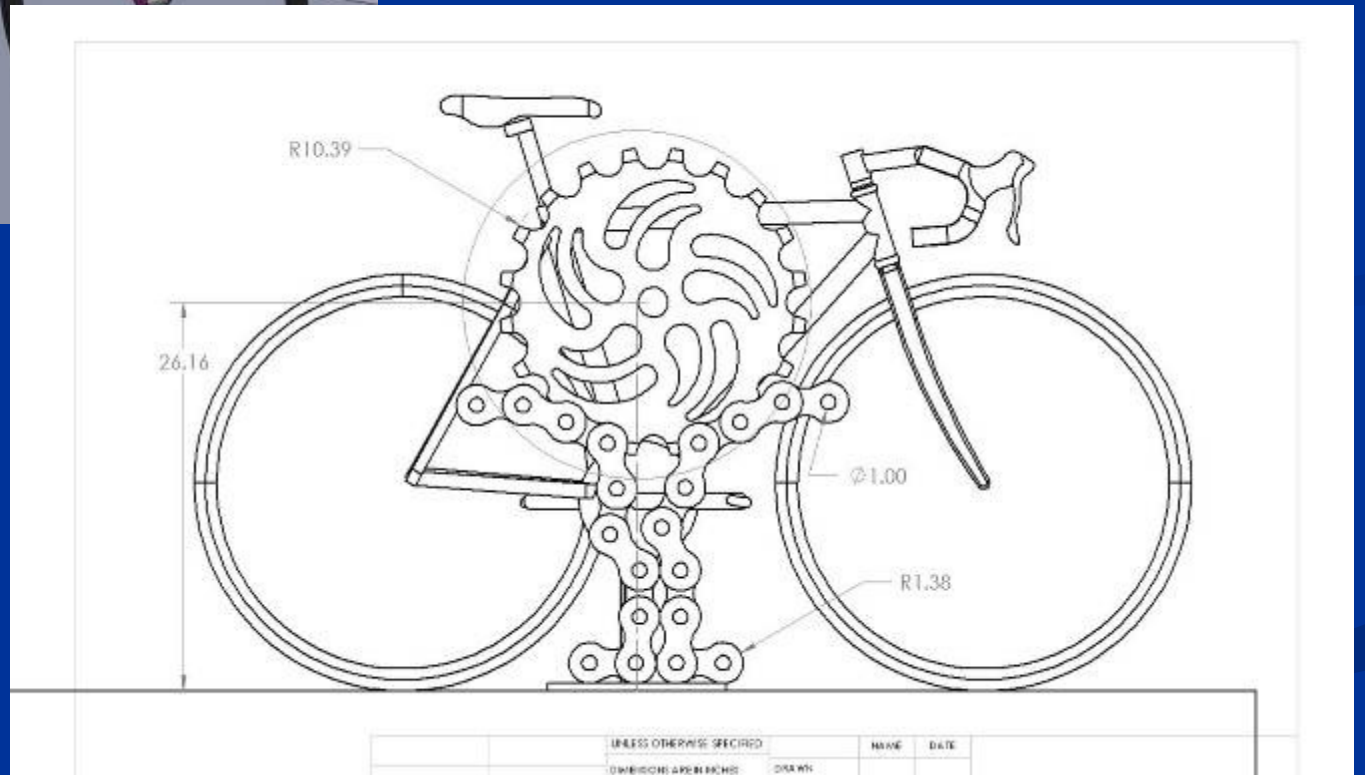
Mark Sheehan - Cherry-Glow Forge



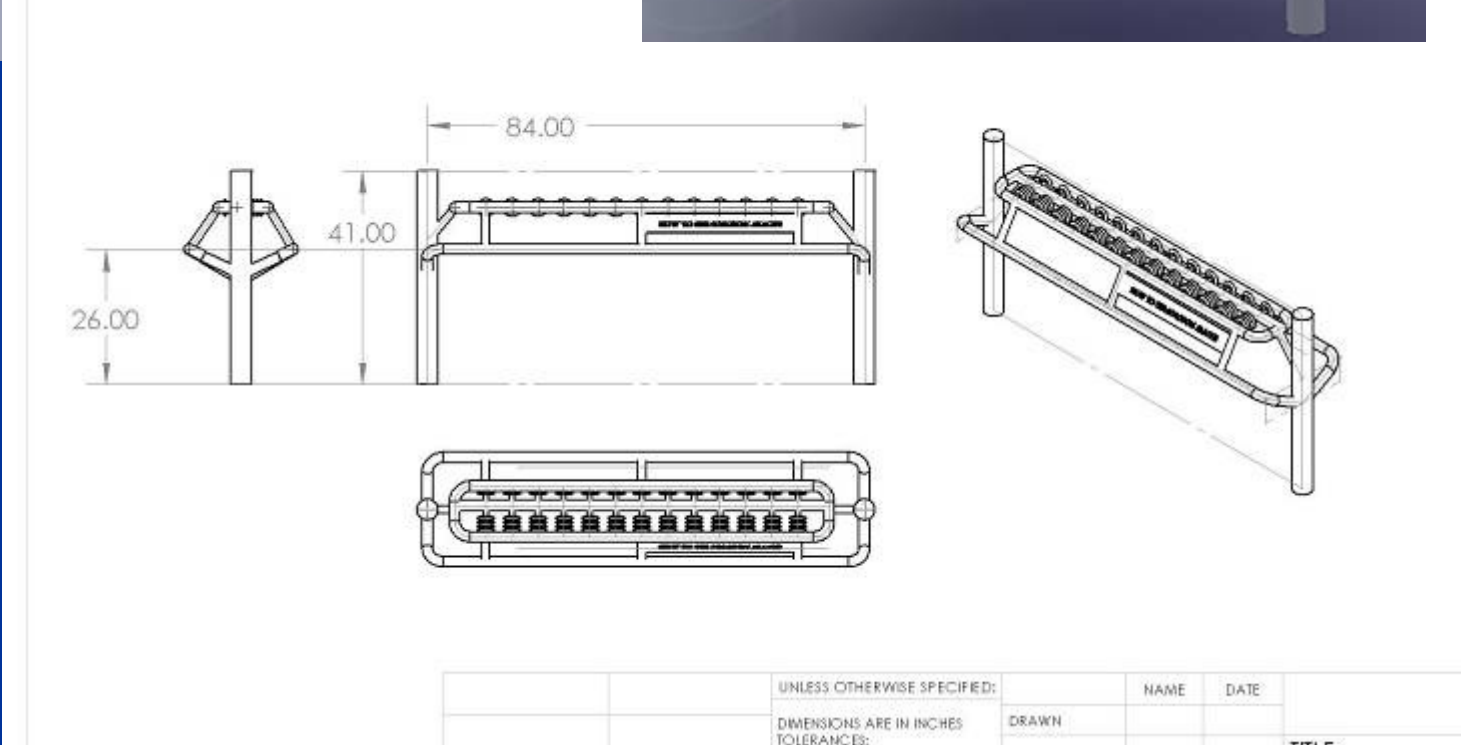
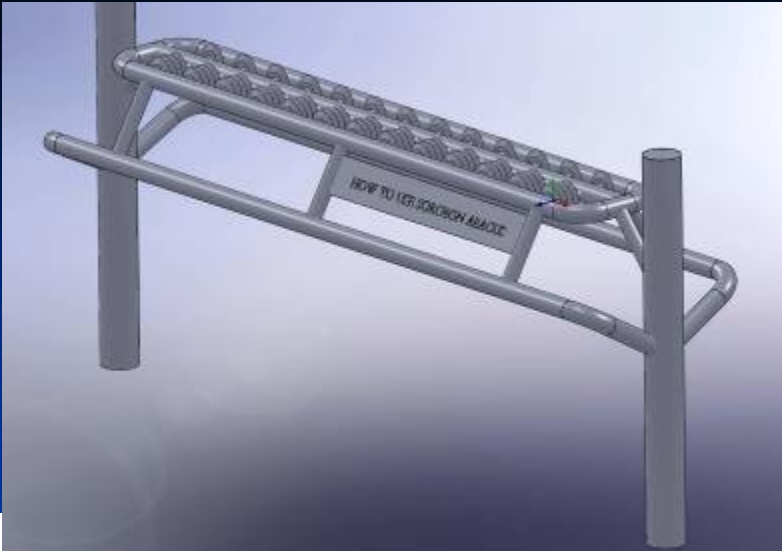
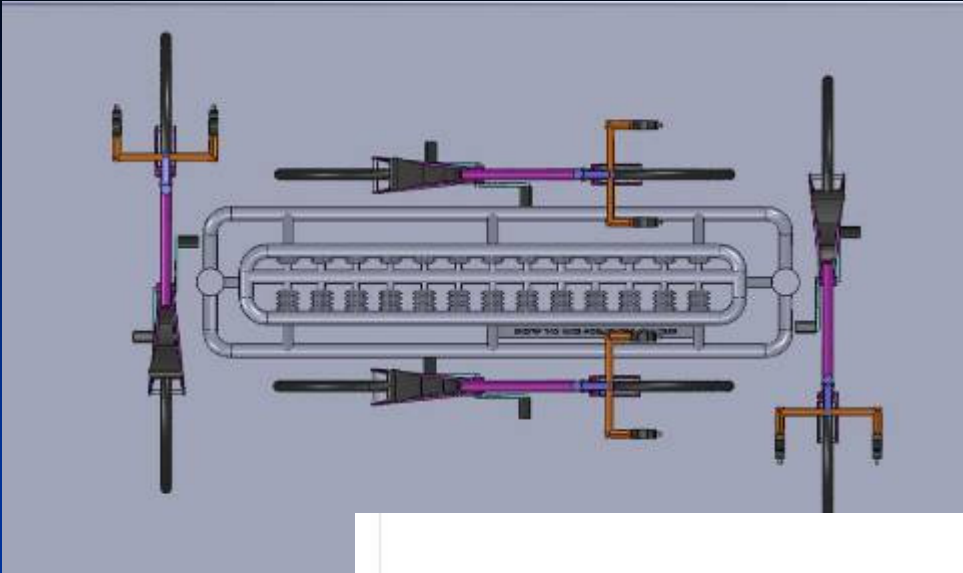
Mark Sheehan - Cherry-Glow Forge



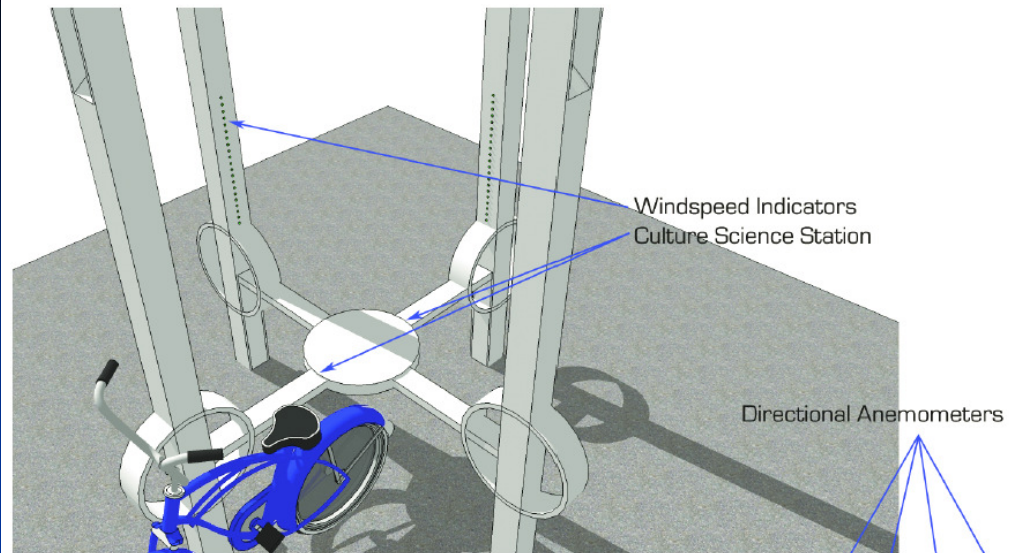
Jason Georgiades - Tropos Manufacturing



Jason Georgiades - Tropos Manufacturing



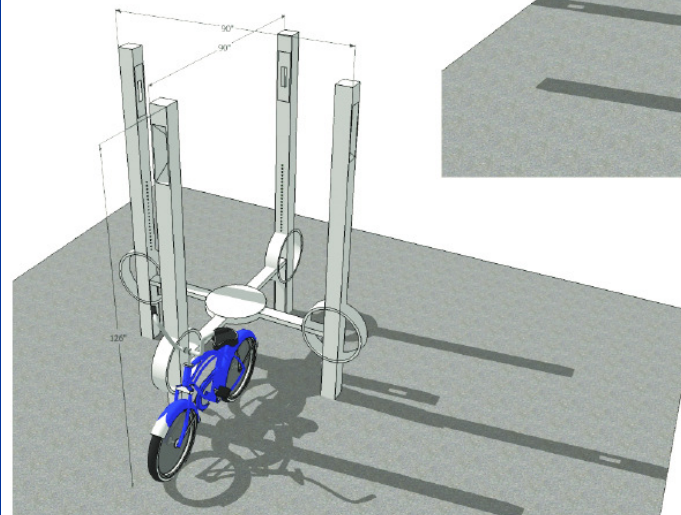
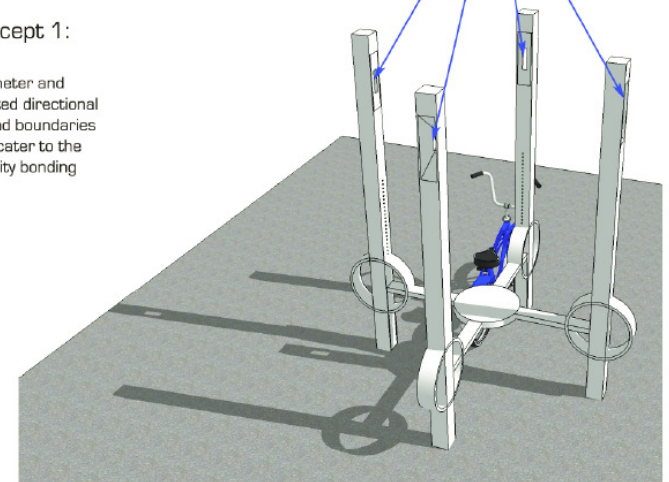
Jason Georgiades - Tropos Manufacturing



Woodside Boulevard Bike Rack Concept 1:

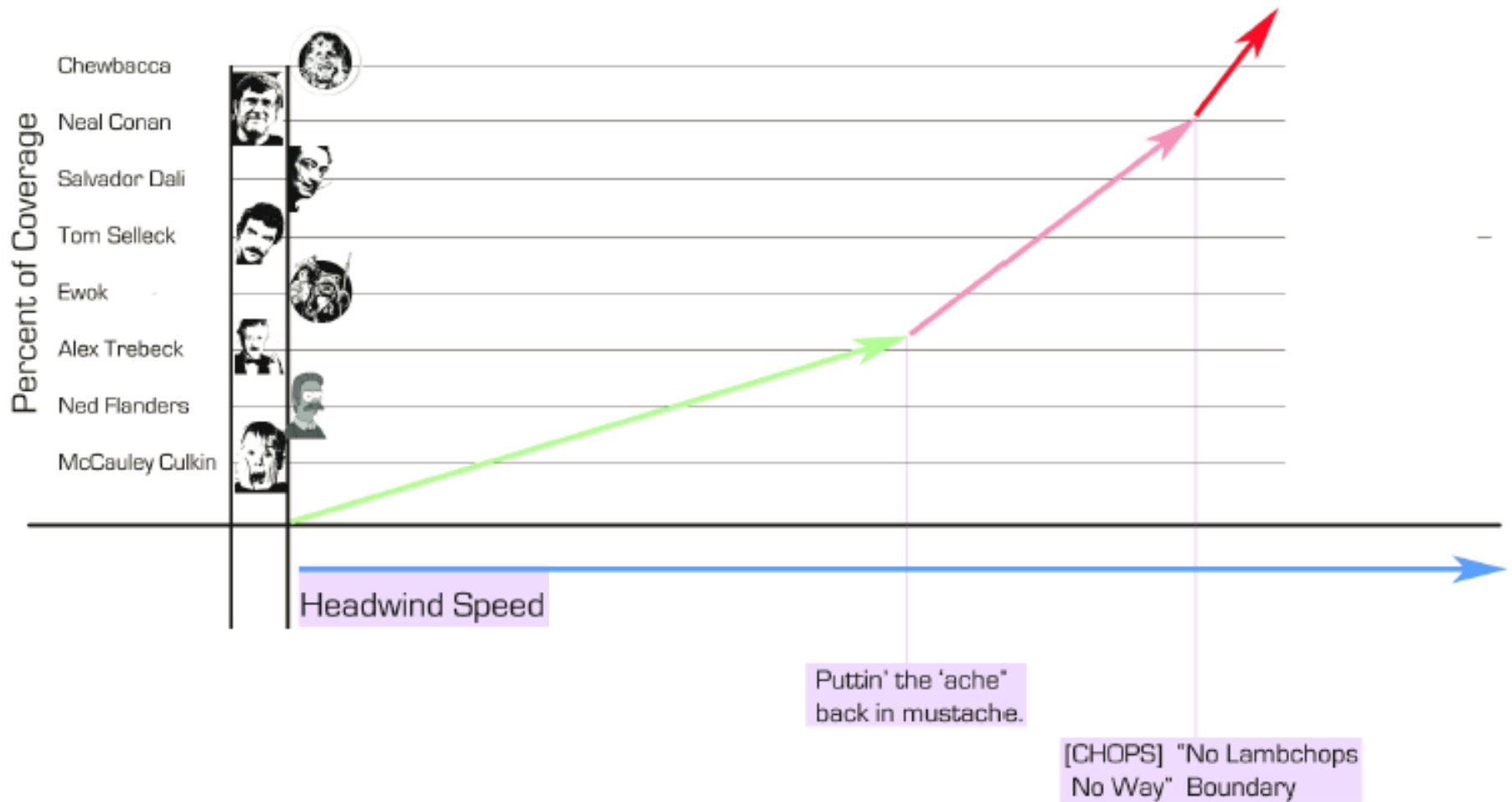
Nate Galpin

This rack is designed as a bicycle-specific anemometer and culture science station. Each post has an integrated directional windspeed meter with required threshold limits and boundaries for headwind and tailwind riding. It is designed to cater to the humor and history of bicycle culture as a community bonding agent.



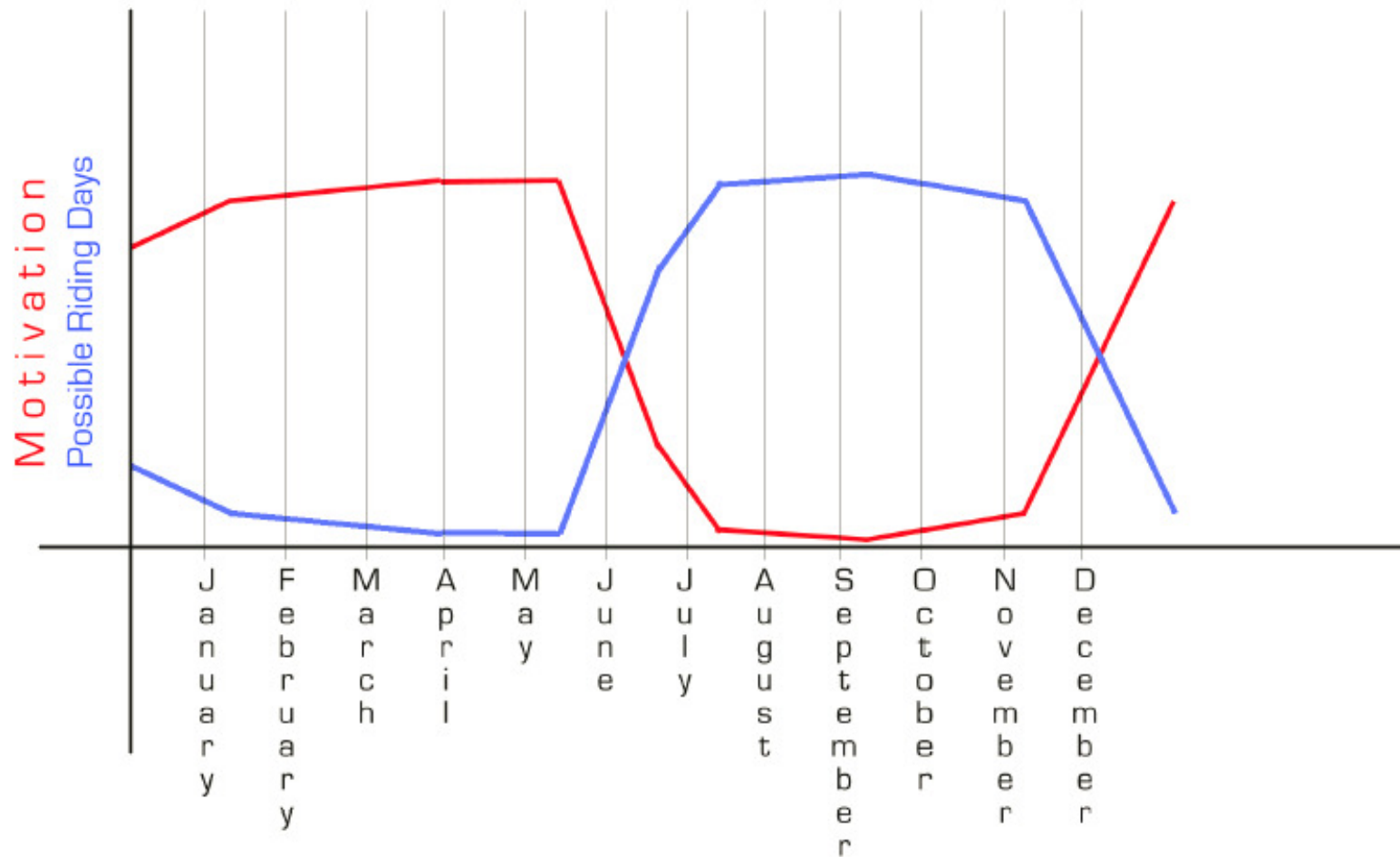
Nate Galpin
Isotope Metal Laboratory

Facial Hair Headwind Relativity



Nate Galpin - Isotope Metal Laboratory

Katabatic Motivation Entropy Cycle



Nate Galpin - Isotope Metal Laboratory

Thank You!